

MONISAFE™ 400A

Value delivered

Teller Cash Recycler with Unprecedented Convenience and Speed

MoniSafe 400A from Nautilus Hyosung provides enhanced productivity and security for the branch. By simplifying cash transactions, MoniSafe 400A reduces back office tasks and wait times, improving customer satisfaction and branch sales performance.

Features

- **Unsurpassed Usability**

With real time visibility of cash levels thanks to the 7" wide touch screen, MoniSafe 400A provides easy and fast transactions. Dispensing and deposit transactions can be processed for two tellers simultaneously with the aid of indicator lights at the front

- **Enhanced Productivity**

Advanced cash recycling technology built by Nautilus Hyosung simplifies and accelerates cash transaction, reducing monotonous and repetitive tasks. Reduced cash balancing time helps tellers to focus on customer service and cross-selling.

- **Maximum Protection**

MoniSafe 400A offers enhanced banknote authentication, increased sorting capabilities and reduced risk of robbery or potential loss. The MoniSafe 400A operates with 7 cassettes that are located in a certified safe.

Cash is stored in the cassette rather than in the Roll storage module, thereby significantly reducing cash exposure.

- **Easy Maintenance**

MoniSafe 400A provides Nautilus Hyosung's unique technologies.

The auto paper jam recovery function prevents a machine failure from paper jam without human interference. In the event of an error, the jamming point will be identified on the LCD display at the front. The detection of a paper jam can be easily identified through a built-in guidance LED, so that problems can be fixed without support from specialized personnel.



Innovation at Your Fingertip
NAUTILUS HYOSUNG



Dependable Customer Service:

We understand the importance of speedy resolution to any issues arising in the operation. Our representatives offer real solutions with real results for maximum return on your investment.



MONISAFE™ 400A

Value delivered



Dimension

- Width : 428 mm (16.9")
- Depth : 1,054 mm (41.5")
- Height : 937 mm (36.9")
- Weight : 440 kg (970 lbs)

Display

- 7" wide LCD with Touch Screen
- Display unit status, note counting and guidance messages
- Error or jamming point display

Cash Handling

- Up to 7 recycling cassettes
 - Big recycling cassette 3EA and small recycling cassette 4EA
- Reject and retract capabilities
- 2 manual deposit slots
- Deposit and dispense 200 notes per transaction
- Single slot deposit and dispense
- Interchangeable cassette with Monimax cash recycling ATMs

Transaction Speed

- 8 notes per sec

Additional Features

- Customer Display (Option Available)
- In-use button
- Counting Feature
- Recognition Note Serial Number
- Fitness Sorting
- Multi-channel Communications

Security

- UL291 Level 1, CEN L/III

Platform

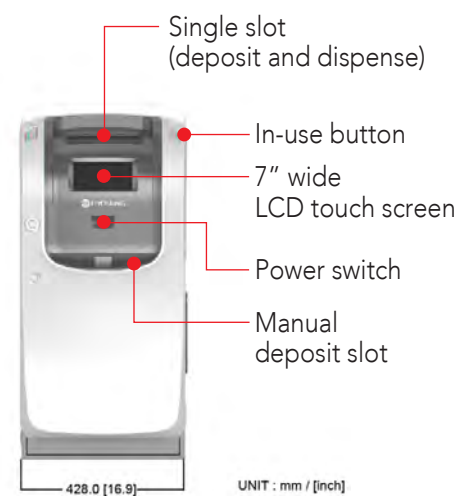
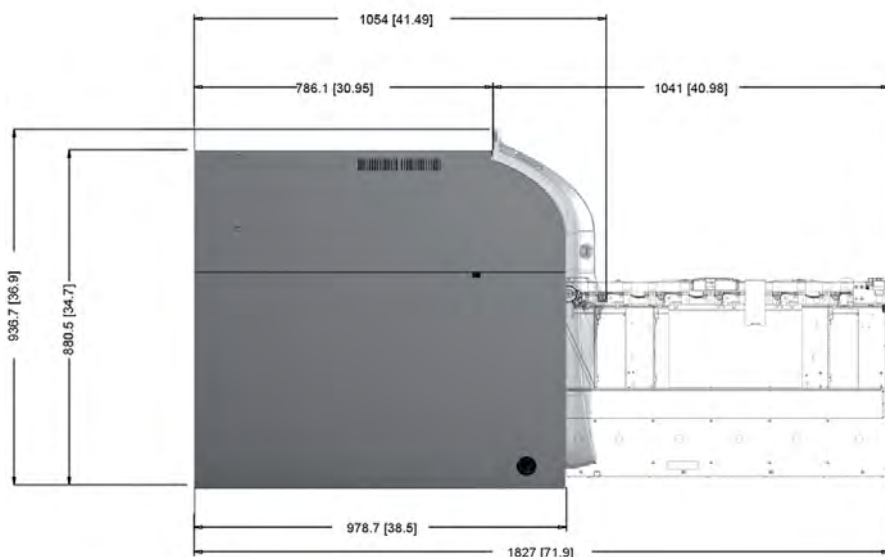
- Microsoft @Windows® XP professional

Power Supply

- AC 110 ~ 230V, 50 ~ 60 Hz

Environmental Conditions

- Temperature
 - Operating : 5°C ~ 40°C(41°F~104°F)
 - Storage : -10°C ~ 60°C(10°F ~ 140°F)
- Humidity
 - Operating : 25% ~ 85%
 - Storage : 10% ~ 90%



Contact your authorized Nautilus Hyosung distributor or representative for more information.



Suseo Bldg, 281, Gwangpyeong-ro, Gangnam-Gu, Seoul, Korea 135-884
TEL : +82-2-6181-2300 FAX : +82-2-3442-7993
<http://www.nautilus.hyosung.com>