



MACH[®] 6

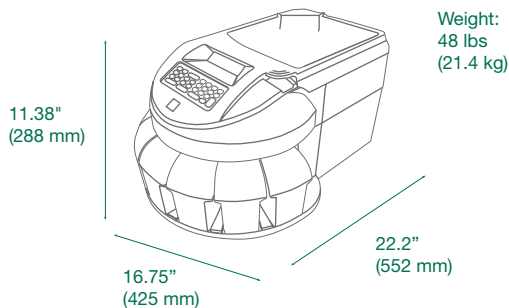
Coin processor

Efficient coin processing for medium volume applications



Product specifications

Coin size range	Diameter: 0.6" to 1.3" (15.5 mm to 32.5 mm) Thickness: 0.04" to 0.12" (1 mm to 3 mm)
Inspection pan capacity	Up to 4,500 coins
Processing speed	Up to 3,000 coins per minute
Sorting capability	Up to 8 different denominations
Security features	Lockout to protect operating information Battery backup for power failures
Options	Security stand Coin Signature Detection System™ (CSDS) Management Information Control System (MICS)



MACH® 6 is a medium use commercial grade coin sorter that is fast, accurate and versatile, with best-in-class speed.

Optimal speed and accuracy

The simplicity of the patented Figure 8 technology provides optimal and accurate sorting at up to 3,000 coins per minute. This means MACH 6 one of the fastest in its class.

Versatile options to meet your needs

Coins can be sorted into drawers or bags. The Coin Signature Detection System™ (CSDS) option checks coins four ways to determine authenticity, and rejects foreign coins and tokens that are not set up for counting.

For streamlined communications and consolidated reporting, select a MACH 6 with the Management Information Control System™ (MICS). This will give you three levels of memory and the ability to manually enter values for other media, like checks and credit cards, into your totals.

Select a model with RS232 to connect the MACH 6 to a printer to receive a printout of the count. For connectivity, choose a MACH 6 with RS232 and MICS to connect it with other counting equipment and cash settlement systems. If loss prevention is a priority, select the optional security stand.

